



ISO9001



6D-0669



CE-0575



TS27 10585
-2010



ZHEJIANG DONGYA VALVE CO.,LTD.

Eaav

BS



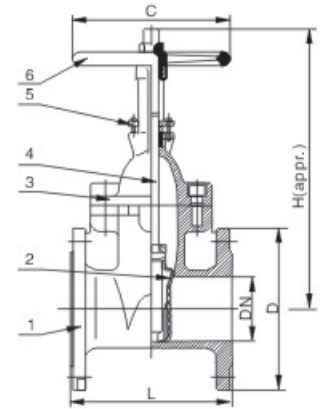
Gate Valve

Rising stem resilient soft seated gate valves BS 5163

● Application	
1	Face to face is according to BS 163:1986
2	Flange drilled is according to BS4504

● Test		
Working pressure	PN 10	PN16
Shell pressure	1.5MPa	2.4MPa
Seat pressure	1.1MPa	1.76MPa

● Components		
1	Body	Ductile iron
2	Disc	Ductile iron with NBR/EPDM/FPM
3	Bonnet	Ductile iron
4	Stem	Stainless steel
5	Gland	Ductile iron
6	Hand wheel	Ductile iron



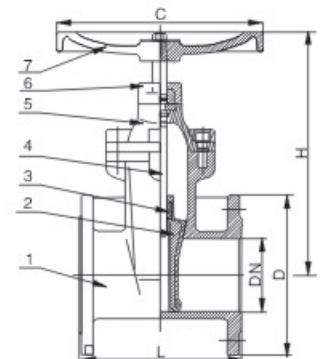
● Dimensions										unit:mm
DN	50	65	80	100	125	150	200	250	300	
L	178	190	203	229	254	267	292	330	356	
H	258	287	308	349	441	441	553	615	714	
H(Full open)	308	352	388	449	566	591	753	865	1014	
C	178	178	203	254	254	305	356	405	457	
D	165	185	200	220	250	285	340	405	460	

Non rising stem resilient soft seated gate valves BS 5163

● Application	
1	Face to face is according to BS 163:1986
2	Flange drilled is according to BS4504

● Test		
Working pressure	PN 10	PN16
Shell pressure	1.5MPa	2.4MPa
Seat pressure	1.1MPa	1.76MPa

● Components		
1	Body	Ductile iron
2	Disc	Ductile iron with NBR/EPDM/FPM
3	Bonnet	Ductile iron
4	Stem	Stainless steel
5	O-ring	NBR
6	Gland	Ductile iron
7	Hand wheel	Ductile iron

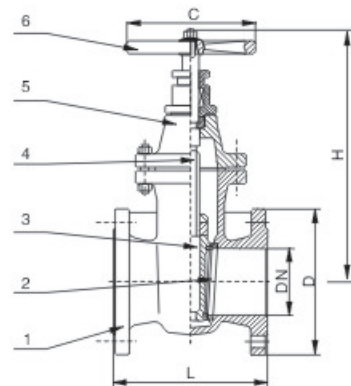


● Dimensions										unit:mm
DN	50	65	80	100	125	150	200	250	300	
L	178	190	203	229	254	267	292	330	356	
H	265	297	313	395	451	451	544	621	730	
C	200	200	250	280	280	340	340	400	450	
D	165	185	200	220	250	285	340	405	460	

Gate Valve

Non-rising stem gate valves BS 5163

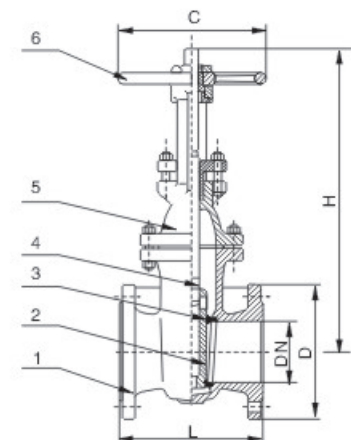
● Application		
1	Face to face is according to BS5163:1986, BS5150	
2	Flange drilled is according to BS table E or D/BS4504	
● Test		
Working pressure	PN10	PN16
Shell pressure	1.5MPa	2.4MPa
Seat pressure	1.1MPa	1.76MPa
● Components		
1	Body	Cast iron or Ductile iron
2	Seat	Brass/Bronze
3	Disc	Cast iron or Ductile iron
4	Bonnet	Stainless steel
5	Stem	Cast iron or Ductile iron
6	Hand wheel	Cast iron or Ductile iron



● Dimensions										unit:mm
DN	40	50	65	80	100	125	150	200	250	300
L	165	178	190	203	229	254	267	292	330	356
H	279	325	350	380	415	435	506	702	750	852
C	152	178	178	203	245	254	305	356	405	457
D	152	165	185	200	220	250	285	340	405	460

Rising stem gate valves BS 5163

● Application		
1	Face to face is according to BS5163:1986, BS5150	
2	Flange drilled is according to BS4504 & BS10 table E or D	
● Test		
Working pressure	PN10	PN16
Shell pressure	1.5MPa	2.4MPa
Seat pressure	1.1MPa	1.76MPa
● Components		
1	Body	Cast iron or Ductile iron
2	Disc	Cast iron or Ductile iron
3	Seat	Brass/Bronze
4	Stem	Stainless steel
5	Bonnet	Cast iron or Ductile iron
6	Hand wheel	Cast iron or Ductile iron



● Dimensions										unit:mm
DN	40	50	65	80	100	125	150	200	250	300
L	165	178	190	203	229	254	267	292	330	356
H	286	305	343	391	452	533	602	813	935	1083
C	152	178	178	203	245	254	305	356	405	457
D	152	165	185	200	220	250	285	340	405	460

Gate Valve

Non-rising stem gate valves BS 5163 "O" type

● Application

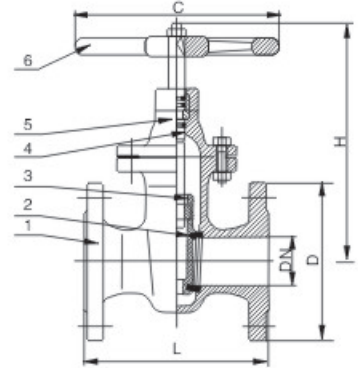
1	Face to face is according to BS5163:1986, BS5150
2	Flange drilled is according to BS table E or D/BS4504

● Test

Working pressure	PN 10	PN16
Shell pressure	1.5MPa	2.4MPa
Seat pressure	1.1MPa	1.76MPa

● Components

1	Body	Cast iron or Ductile iron
2	Seat	Brass/Bronze
3	Disc	Cast iron or Ductile iron
4	Stem	Stainless steel
5	Bonnet	Cast iron or Ductile iron
6	Hand wheel	Cast iron or Ductile iron



● Dimensions

	unit:mm									
DN	40	50	65	80	100	125	150	200	250	300
L	165	178	190	203	229	254	267	292	330	356
H	279	325	350	380	415	435	506	702	750	852
C	152	178	178	203	245	254	305	356	405	457
D	152	165	185	200	220	250	285	340	405	460

Non-rising stem gate valves BS 3464

● Application

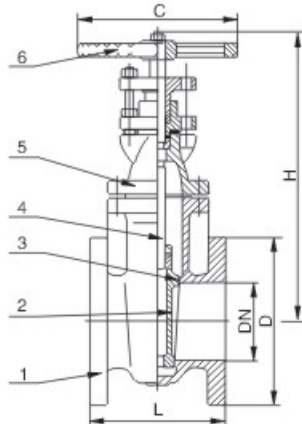
1	Face to face is according to BS3464
2	Flange drilled is according to BS 10 Table E or D

● Test

Working pressure	PN 10	PN16
Shell pressure	1.5MPa	2.4MPa
Seat pressure	1.1MPa	1.76MPa

● Components

1	Body	Cast iron or Ductile iron
2	Disc	Cast iron or Ductile iron
3	Seat	Cast iron or Brss
4	Stem	Stainless steel
5	Bonnet	Cast iron or Ductile iron
6	Hand wheel	Cast iron or Ductile iron



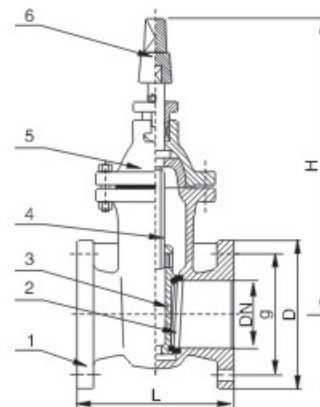
● Dimensions

	unit:mm									
DN	40	50	65	80	100	125	150	200	250	300
L	140	146	159	165	172	190	210	241	273	305
H	275	290	310	340	370	455	470	620	725	775
C	160	180	180	200	250	280	280	340	340	400
D	135	152	165	184	216	254	254	337	406	457

Gate Valve

Non-rising stem gate valves BS 1218

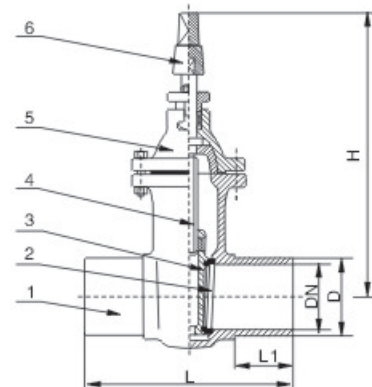
● Application		
1	Face to face is according to BS1218:1946	
2	Flange drilled is according to BS10 Table E or D	
● Test		
Working pressure	PN 10	
Shell pressure	15bars	
Seat pressure	11bars	
● Components		
1	Body	Cast iron or Ductile iron
2	Seat	Brass/Bronze
3	Disc	Cast iron or Ductile iron
4	Stem	Stainless steel
5	Bonnet	Cast iron or Ductile iron
6	Hand wheel	Cast iron or Ductile iron



● Dimensions										unit:mm
DN	2"	2-1/2"	3"	4"	5"	6"	8"	10"	12"	
L	8-1/2"	9"	9"	10"	10-1/2"	11"	12-1/2"	14"	15"	
H	16"	16-5/8"	17-3/8"	19-5/8"	21-3/4"	24-1/2"	28-1/2"	33"	37"	
C	6"	6-1/2"	7-1/5"	8-1/2"	10"	11"	13-3/10"	16"	18"	
g	4-1/2"	5"	5-3/4"	7"	8-1/4"	9-1/4"	11-1/2"	14"	16"	

Non-rising stem gate valves BS 1218

● Application		
Face to face is according to BS1218:1946		
● Test		
Working pressure	PN 10	
Shell pressure	15bars	
Seat pressure	11bars	
● Components		
1	Body	Cast iron or Ductile iron
2	Seat	Brass/Bronze
3	Disc	Cast iron or Ductile iron
4	Stem	Stainless steel
5	Bonnet	Cast iron or Ductile iron
6	Hand wheel	Cast iron or Ductile iron



● Dimensions									unit:mm
DN	2"	3"	4"	6"	8"	10"	12"		
L	8-1/2"	9"	10"	11"	12-1/2"	14"	15"		
H	16"	17-3/8"	19-5/8"	24-1/2"	28-1/2"	33"	37"		
C	2-3/4"	3-3/4"	4-3/16"	7"	9-1/8"	11-1/4"	18-1/8"		
g	3"	3"	3-1/2"	4"	4"	4"	5"		

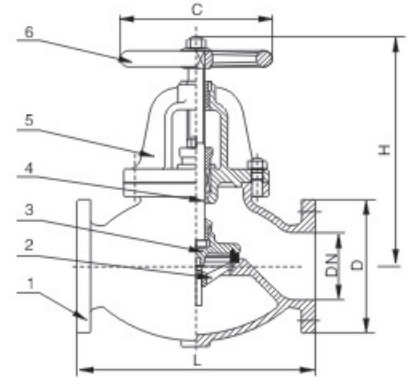
Globe Valve

Globe valve BS 5152

●Application	
1	Face to face is according to BS5152
2	Flange drilled is according to BS4504
3	Nominal pressure PN10/PN16

●Test		
Working pressure	PN 10	PN16
Shell pressure	1.5MPa	2.4MPa
Seat pressure	1.1MPa	1.76MPa

●Components		
1	Body	Cast iron or Ductile iron
2	Seat	Bronze or Brss
3	Disc	Cast iron or Ductile iron
4	Stem	Stainless
5	Bonnet	Cast iron or Ductile iron
6	Hand wheel	Cast iron or Ductile iron



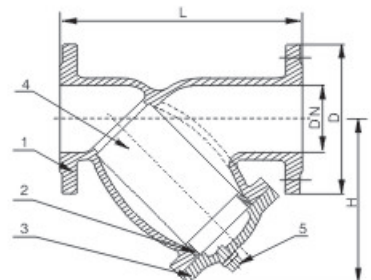
●Dimensions								unit:mm
DN	50	65	80	100	125	150	200	
L	203	216	241	292	330	356	495	
H	273	298	311	352	375	425	514	
C	265	185	200	220	250	285	340	
D	203	203	254	254	305	305	356	

Y Strainer BS 4504

●Application	
1	Face to face is according to BS2080
2	Flange drilled is according to BS4504

●Test		
Working pressure	PN 10	PN16
Shell pressure	1.5MPa	2.4MPa
Seat pressure	1.1MPa	1.76MPa

●Components		
1	Body	Cast iron or Ductile iron
2	Plug	Cast iron or Ductile iron
3	Cover	Cast iron or Ductile iron
4	Screen	Stainless steel
5	Blot	Carbon Steel



●Dimensions										unit:mm
DN	50	65	80	100	125	150	200	250	300	
L	220	270	290	350	390	440	540	660	720	
H	120	140	170	220	260	300	360	440	525	
D	165	185	200	220	250	285	340	405	460	

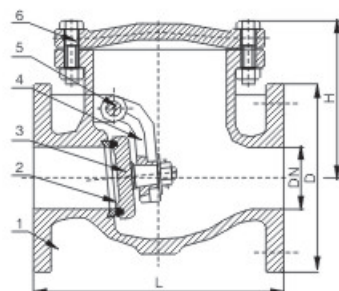
Check Valve

Check valve swing type BS5153

● Application	
1	Face to face is according to Bs5153 PN10/PN16
2	Flange drilled is according to BS4504 table E or D

● Test		
Working pressure	PN10	PN16
Shell pressure	1.5MPa	2.4MPa
Seat pressure	1.1MPa	1.76MPa

● Components		
1	Body	Cast iron or Ductile iron
2	Seat	Brass/Bronze
3	Disc	Cast iron or Ductile iron
4	Hanger	Cast iron or Ductile iron
5	Ingo pin	Stainless steel
6	Bonnet	Cast iron or Ductile iron



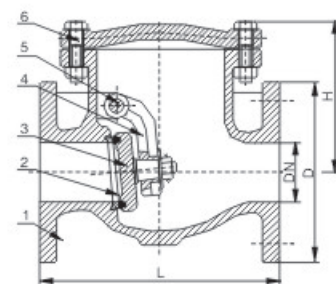
● Dimensions										unit:mm
DN	40	50	65	80	100	125	150	200	250	300
L	165	203	216	241	292	330	356	495	622	698
H	127	130	135	148	180	205	230	258	391	427
D(PN10)	150	165	185	200	220	250	285	340	395	445
D(PN16)	150	165	185	200	220	250	285	340	405	460

Check valve swing type BS 4090

● Application	
1	Face to face is according to BS4090
2	Flange drilled is according to BS 10table E

● Test	
Working pressure	PN10
Shell pressure	1.5MPa
Seat pressure	1.1MPa

● Components		
1	Body	Cast iron or Ductile iron
2	Seat	Brass/Bronze
3	Disc	Cast iron or Ductile iron
4	Hanger	Cast iron or Ductile iron
5	Ingo pin	Stainless steel
6	Bonnet	Cast iron or Ductile iron



● Dimensions										unit:mm
DN	40	50	65	80	100	125	150	200	250	300
L	165	203	216	241	292	330	356	495	622	698
H	127	130	135	148	180	205	230	258	391	427
D	135	152	165	184	216	254	279	337	406	457